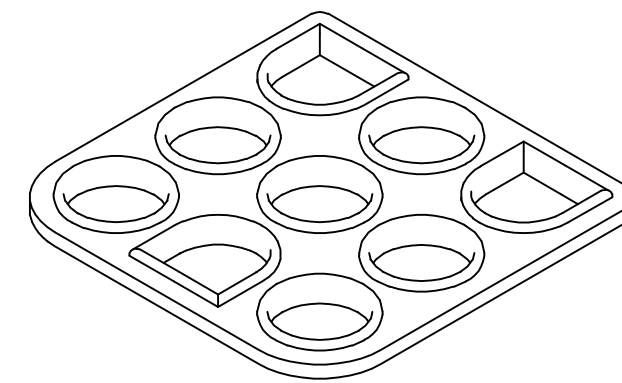
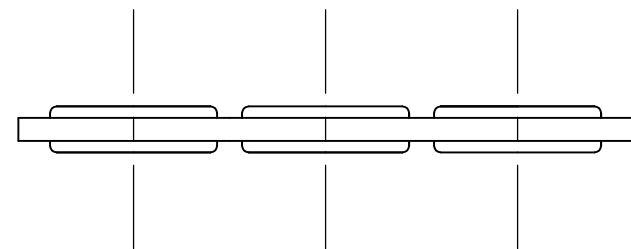
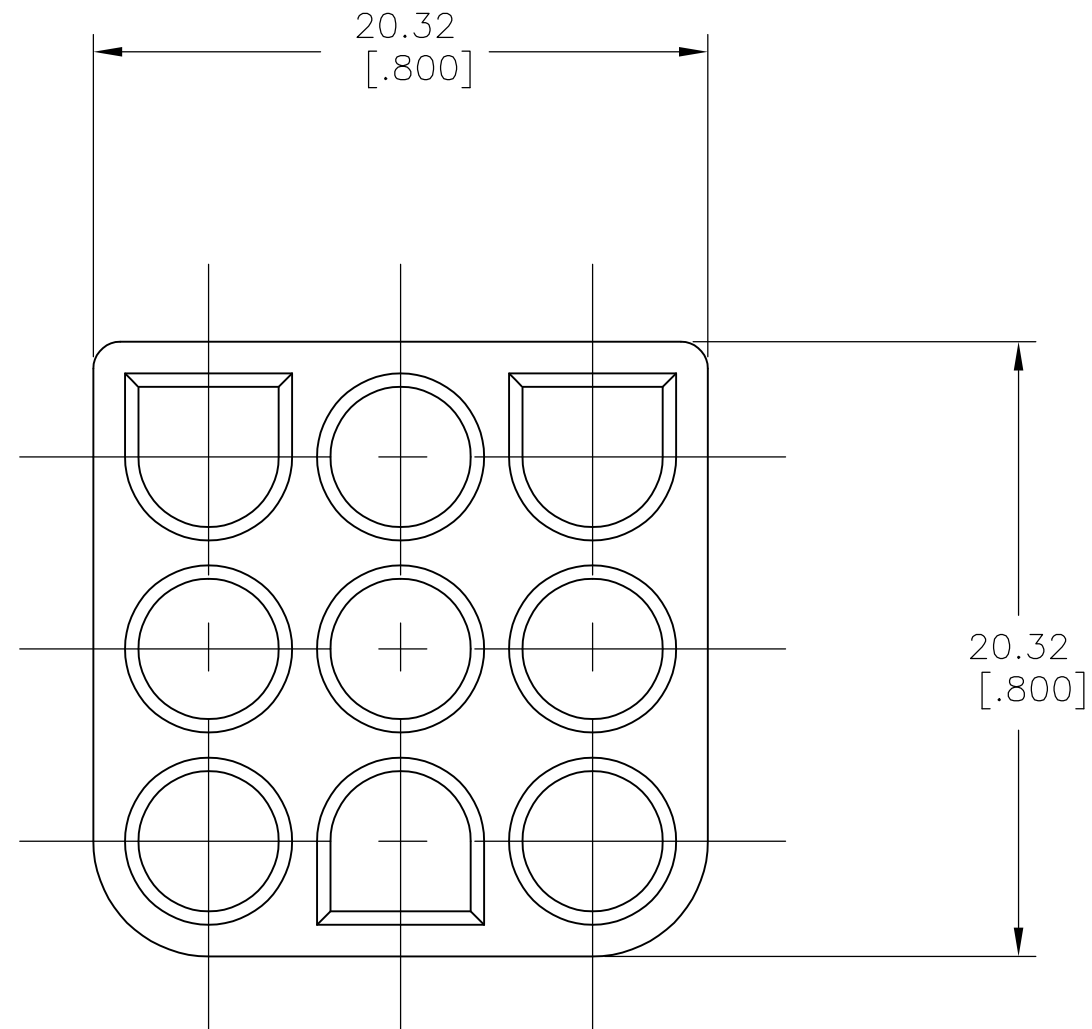


THIS DRAWING IS UNPUBLISHED. RELEASED FOR PUBLICATION  
 © COPYRIGHT - By - ALL RIGHTS RESERVED.

LOC	DIST	REVISIONS					
		P	LTR	DESCRIPTION	DATE	DWN	APVD
CM	53						
		C		REVISED PER ECR-12-011218	08OCT12	KH	TM

- 1 MATERIAL: SELF LUBRICATING SILICON RUBBER  
COLOR: BLUE
- 2 DIMENSIONS IN BRACKETS ARE IN INCHES.



3-DIMENSIONAL MODEL  
NTS

794277-1  
PART NUMBER

THIS DRAWING IS A CONTROLLED DOCUMENT.		DWN	B. LEWIS	3-25-97	<b>STE</b> TE Connectivity																	
DIMENSIONS: mm [INCHES]		CHK	R. SWING	3-25-97																		
TOLERANCES UNLESS OTHERWISE SPECIFIED:		APVD	D. SELF	3-25-97																		
<table border="0"> <tr><td>0 PLC</td><td>±</td><td>-</td></tr> <tr><td>1 PLC</td><td>±</td><td>-</td></tr> <tr><td>2 PLC</td><td>±</td><td>0.38[.015]</td></tr> <tr><td>3 PLC</td><td>±</td><td>-</td></tr> <tr><td>4 PLC</td><td>±</td><td>-</td></tr> <tr><td>ANGLES</td><td>±</td><td>0°30'</td></tr> </table>		0 PLC	±	-		1 PLC	±	-	2 PLC	±	0.38[.015]	3 PLC	±	-	4 PLC	±	-	ANGLES	±	0°30'	PRODUCT SPEC	NAME
0 PLC	±	-																				
1 PLC	±	-																				
2 PLC	±	0.38[.015]																				
3 PLC	±	-																				
4 PLC	±	-																				
ANGLES	±	0°30'																				
MATERIAL		APPLICATION SPEC		INTERFACE SEAL,9 CIRCUIT, UNIVERSAL MATE-N-LOK™																		
FINISH		WEIGHT		SIZE	RESTRICTED TO																	
-		-		A2	-																	
-		CUSTOMER DRAWING		CAGE CODE	DRAWING NO																	
-		-		00779	C=794277																	
-		SCALE		SHEET	REV																	
-		4:1		1 of 1	C																	